

SAFETY INFORMATION

Please read and understand this entire manual before attempting to assemble, install or operate the product.

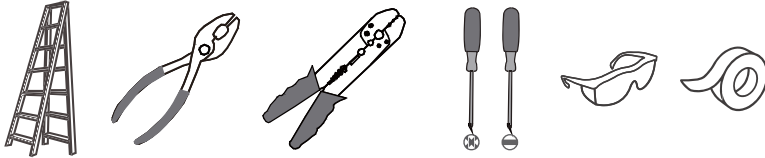
WARNING

- RISK OF ELECTRIC SHOCK - Before beginning installation, turn off electricity at the circuit breaker box or the main fuse box.

CAUTION

- For your safety, read instructions completely before beginning installation.
- If in doubt about electrical installation, consult a licensed electrician.

TOOLS REQUIRED



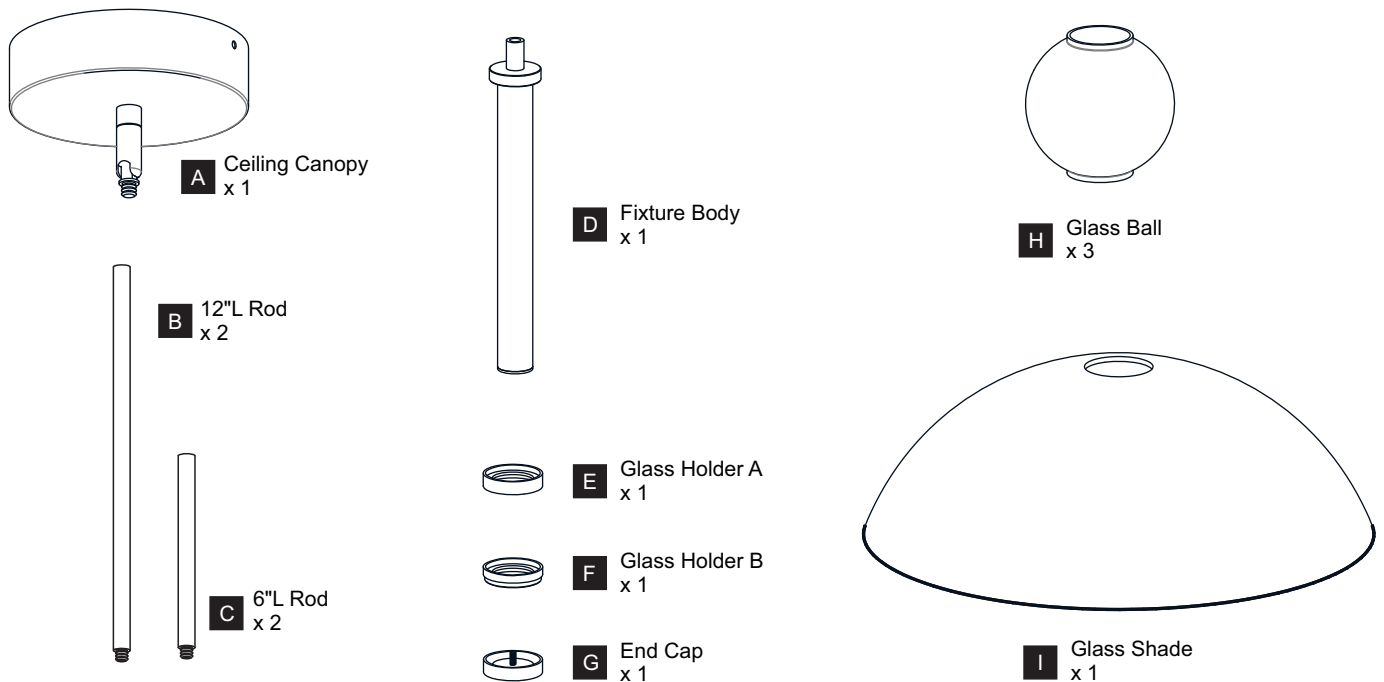
| | | |
|---------|------------------|---------|
| Ratings | 120~277Vac, 60Hz | |
| | Model No. | Wattage |
| | PCELW1812C | 24W |
| | PCELW1812MBK | 24W |

CARE AND MAINTENANCE

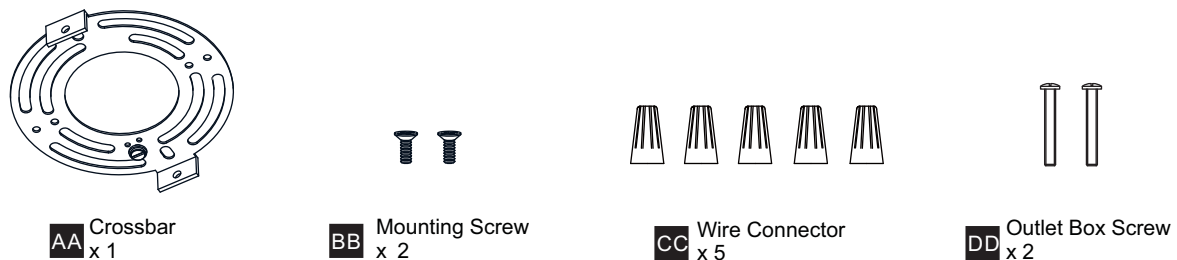
- Wipe clean using soft, dry cloth or static duster. Always avoid using harsh chemicals and abrasives to clean fixture as they may damage the finish.

If you need further assistance call Quozel Customer Care at 1-800-645-3184 (9:00am - 5:00pm EST), or visit us on-line at www.quezel.com.

PACKAGE CONTENTS

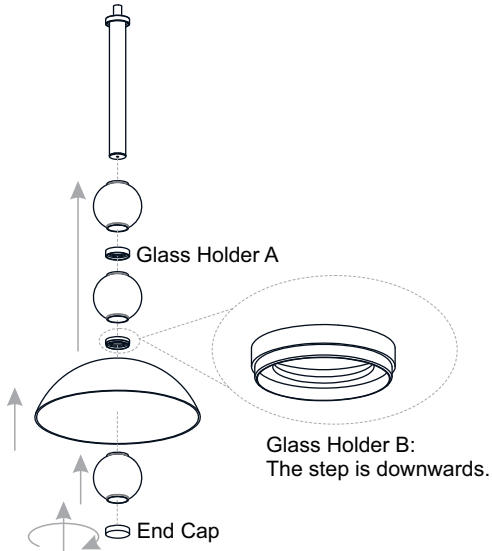


MOUNTING HARDWARE



INSTALLATION

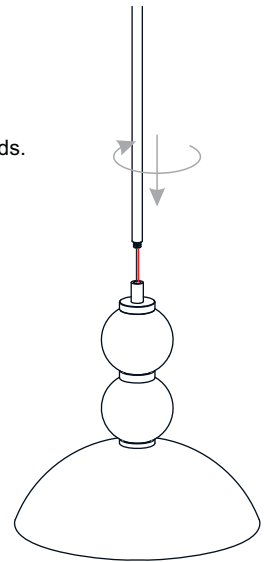
1 Install Glass Balls and Glass Shade



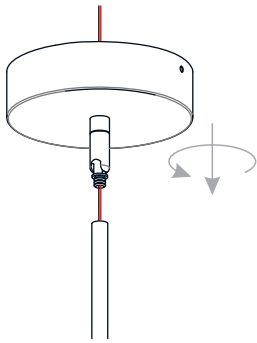
2 Install Rods

Optional Rods:

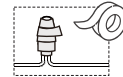
8 Feet Ceiling:
(2) 12"L Rods.
9 Feet Ceiling:
(2) 6"L Rods + (2) 12"L Rods.



3 Install Ceiling Canopy to Upper Rod



4 Connect Fixture Wires to Driver



Red wire from driver
identified with label "LED +"

Red wire from fixture
identified with label "LED +"

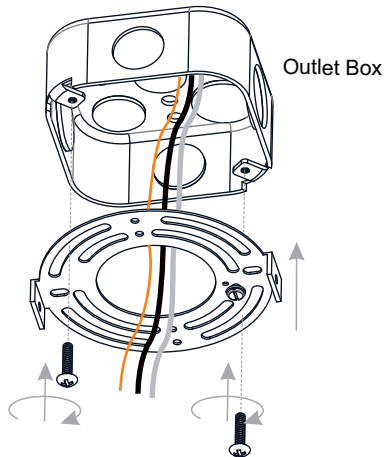


Black wire from driver
identified with label "LED -"

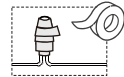
Black wire from fixture
identified with label "LED -"



5 Install Crossbar



6 Wiring



White wire from supply White from driver

Black (or red) wire from supply Black from driver

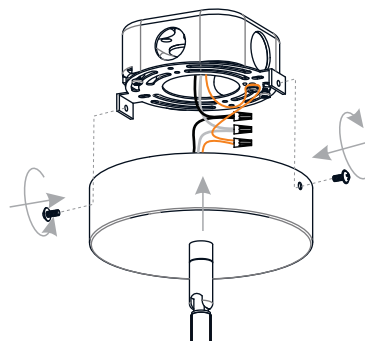


Ground wire from supply Ground wire from fixture



Green ground screw

7 Install Ceiling Canopy to Crossbar



Your installation is now complete! Restore electricity and save this sheet for future reference.